
7694 Elevator Arm

	Description	HP Part No.	Qty
1	Rod, extraction	301 -060-HSP	1
2	Rod, sampling	301 -061 -HSP	1
3	Plug (rubber tip), rod	301 -062-HSP	1
4	Lever, elevator vials	301 -053-HSP	1
5	Optical Interrupter	301 -1 30-HSP	1
6	Rod, elevator	301 -055-HSP	1
Associated screws, washers, nuts, spacers, and circlips			
A	Circlip D5	300-900-HSP	4
B	Washer, toothed D3	21 90-0638	2
C	Screw, M3 X 6 pan head	051 5-0924	4

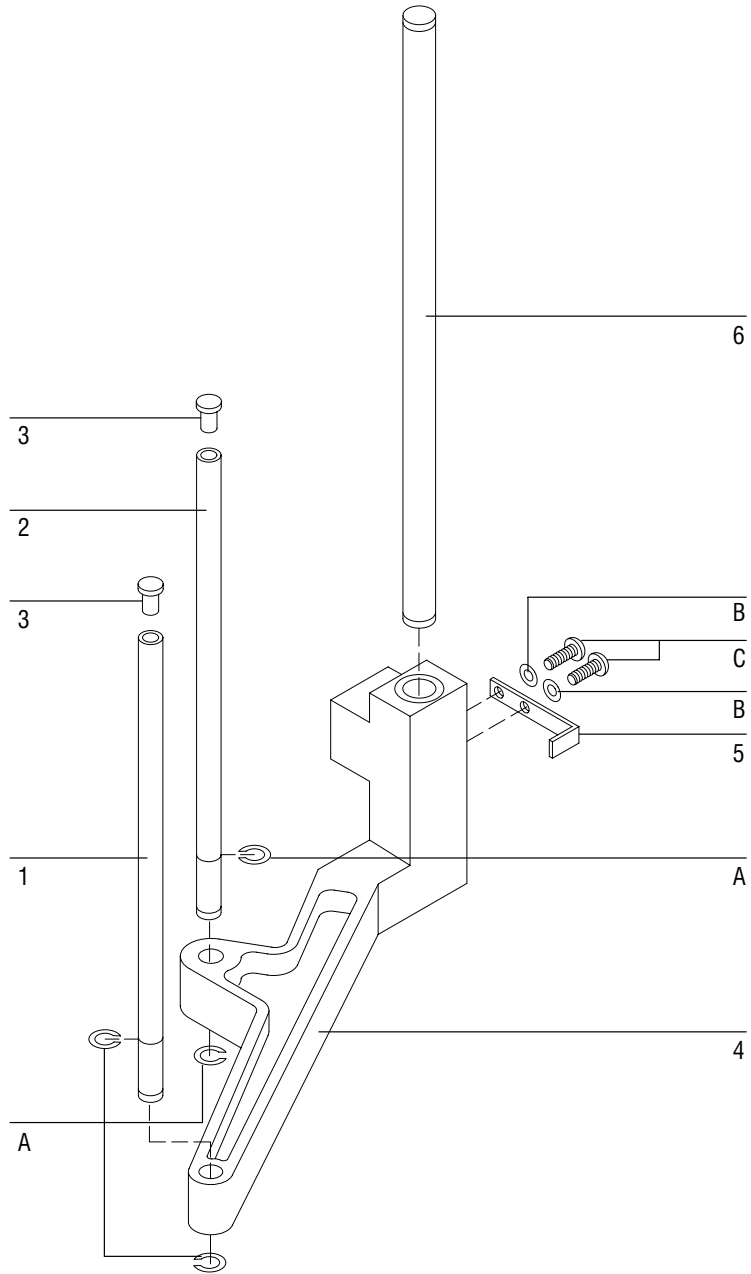


Figure 6-6. Elevator Arm